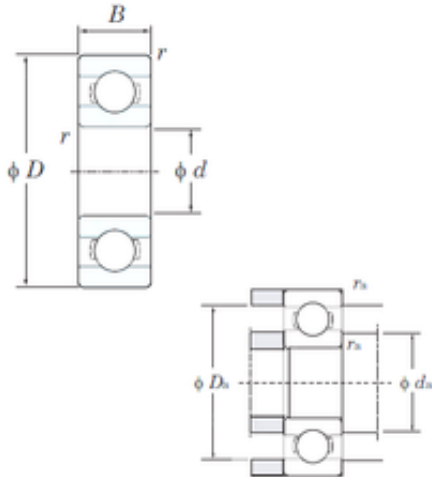




## China 608zz Bearing Supplier



608 Bearing 2D drawings and 3D CAD models

High Precision Koyo/SKF/NTN Miniature  
Deep Groove Ball Bearing 608 2RS 608zz 609 2RS  
609zz

Bearing No. 608

Size	8x22x7 mm
Bore Diameter	8 mm
Outer Diameter	22 mm
Width	7 mm
d	8 mm
D	22 mm
B	7 mm
C	7 mm
r min.	0,3 mm
r1 min.	0,3 mm
da min.	10 mm
Da max.	20 mm
ra max.	0,3 mm
Weight	0,012 Kg
Basic dynamic load rating (C)	3,3 kN
Basic static load rating (C0)	1,35 kN
(Grease) Lubrication Speed	34000 r/min
(Oil) Lubrication Speed	41000 r/min
Category	Single Row Ball Bearings
Inventory	0.0
Manufacturer Name	KOYO
Minimum Buy Quantity	N/A
Weight / Kilogram	0
Product Group	B00308



## China 608zz Bearing Supplier

Enclosure	Open
Precision Class	ABEC 1   ISO P0
Maximum Capacity / Filling Slot	No
Rolling Element	Ball Bearing
Snap Ring	No
Internal Special Features	No
Cage Material	Steel
Internal Clearance	C0-Medium
Inch - Metric	Metric
Long Description	8MM Bore; 22MM Outside Diameter; 7MM Outer Race Width; Open; Ball Bearing; ABEC 1   ISO P0; No Filling Slot; No Snap Ring; No Internal Special Features; C0-Medium Internal Clearance; Steel Cage
Other Features	Deep Groove
Category	Single Row Ball Bearing
UNSPSC	31171504
Harmonized Tariff Code	8482.10.50.68
Noun	Bearing
Keyword String	Ball
Manufacturer URL	<a href="http://www.koyousa.com">http://www.koyousa.com</a>
Weight / LBS	0.0265
Outside Diameter	0.866 Inch   22 Millimeter
Outer Race Width	0.276 Inch   7 Millimeter
Inner Race Width	0 Inch   0 Millimeter
Bore	0.315 Inch   8 Millimeter
Bearing No.	608
r(min)	0.3
Cr	4.10
C0r	1.35
Cu	0.060



## China 608zz Bearing Supplier

f0	12.4
Grease lub.	34000
Oil lub.	41000
da(min)	10
Da(max)	20
ra(max)	0.3
(Refer.)Mass(g)	12